

Descriptions

The PCB are collected from upstream machine onto a shuttle conveyor and pushed into designated magazine. Shuttle conveyor moves sideways between upstream machine and magazines.

Standard features

- Panasonic PLC Program control.
 - Selectable pitch settings.
 - Towerlight display for machine status.
 - Automatic magazine change-over
 - Flexible platform to suit standard magazines.
 - Conveyor width adjustment using hand crank.
 - Regulated pressure on attached pneumatic pusher.
 - Pusher position adjustable to centre of the magazine.
- SMEMA compatible.

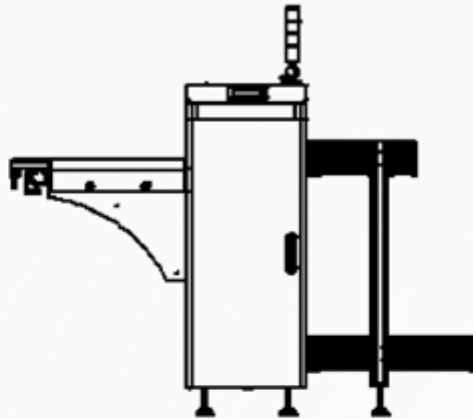
Technical specifications

- Transport height: 9 1 0 m m ± 3 0 m m
- Transfer direction: Left to right
- Operation side: Front of the machine
- Fixed rail: Front of the machine
- Interface: SMEMA
- Conveyer concept: ESD belt (round or flat)
- Belt speed: 16m /min
- PCB edge support: 4mm
- Components clearance: Top 30 mm, bottom 30 mm
(depends on pitch)
- Power supply: 230 VAC/50 Hz/1 Ph
- Power consumption: 300VA max. or specify
- Air supply: 4.6 bar
- Air consumption: 10 ltr/min max.
- PCB unloading time: ±6 seconds
- Pitch distance: 10.20.30.40mm pitch or specify.
- Magazine change-over time: ± 30 seconds
- Total number of magazines: * 1 magazine on the lifter platform.
* 1 empty magazine on the upper magazine conveyor
* 1 full magazine on the lower magazine conveyor * or specify

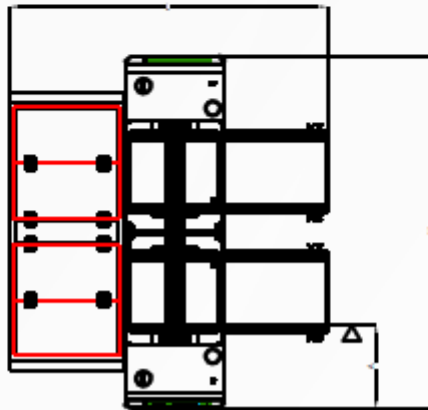
Options

- Additional magazine capacity.
- Enclosed construction improve level of safety.
- Width adjustable magazine conveyor(s).
- Other options available on request.

Structure



Schematic



Model No	TN-UL250D	TN-UL330D	TN-UL390D	TN-UL460D
Machine Dimension (L x W x H)	1690 x 1450 x 1200mm	1930 x 1610 x 1200mm	2170 x 1730 x 1200mm	2170 x 1870 x 1200mm
Weight	126kg	146kg	166kg	186kg
PCB L x W (Min-Max)	(60 x 60)~(350 x 250)mm	(60 x 60)~(455 x 330)mm	(60 x 60)~(530 x 390)mm	(60 x 60)~(530x 4600)mm
PCB Thickness	0.6mm – 4.5mm	0.6mm – 4.5mm	0.6mm – 4.5mm	0.6mm – 4.5mm
Magazine Dimensions (max.)	335 x 320 x 563	460 x 400 x 563	535 x 460 x 570	535 x 530 x 570
Fixed rail to front dimension(A)	380mm	380mm	390mm	390mm

Customized is available